

LIONCAST

LX40 USB Gaming Headset

ENGLISH VERSION



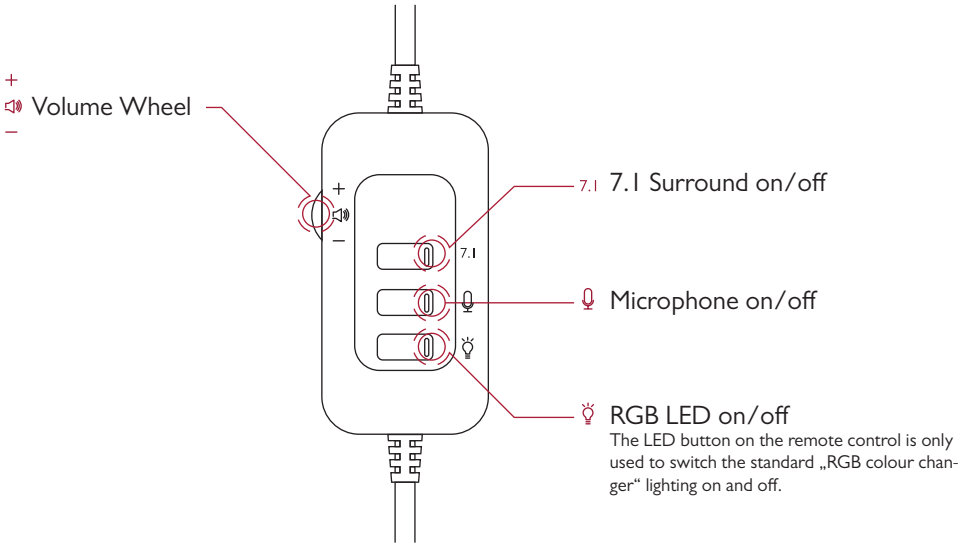
RADIANT
BACKLIGHT
TECHNOLOGY

CONTENT

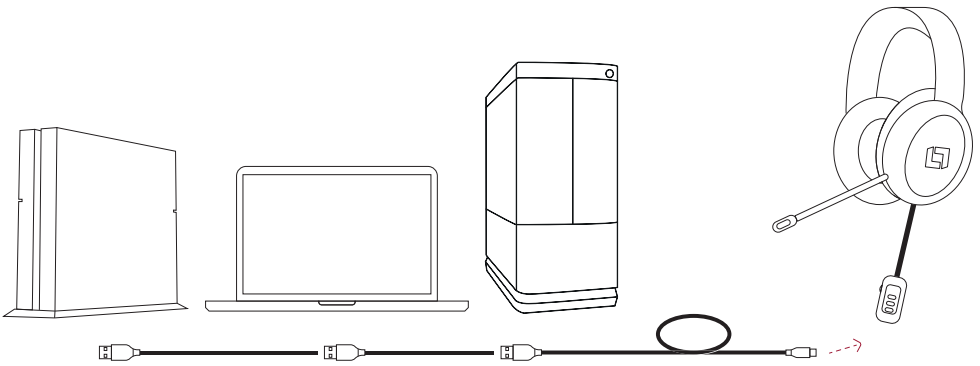
EN

Remote Control Functions	Page 3
Quickstart	Page 3
Package Contents	Page 4
USB Connection Compatibility	Page 4
Product Specifications	Page 4
Technical Specifications	Page 5
Declaration of Conformity	Page 6
Manufacturer Information and Service	Page 6
Disposal	Page 7
FCC	Page 8

REMOTE CONTROL FUNCTIONS



QUICKSTART



USB: For PC, Mac and Playstation 4™

PACKAGE CONTENTS

- » LX40 USB Gaming Headset
- » Detachable Microphone
- » USB-A-cable (Total Length 2m)
- » This manual

USB CONNECTION COMPATIBILITY

- » PC / Mac
- » Playstation 4™

PRODUCT SPECIFICATIONS

- » 50mm High Performance Neodymium Driver
- » Stereo Sound & virtual 7.1 SurroundSound
- » Illuminated ear cups (7 color + automatic color change)
- » Ergonomic headband Cushioning
- » Comfortable Design
- » Memory Foam Ear Cushions
- » Radiant Backlight Technology with Breathing Mode
- » Metal reinforced headband
- » Detachable and bendable omni-directional Microphone
- » Mute-LED on the Remote
- » Remote Control with status LED for Sound Modes and Ear Cup Illumination

TECHNICAL SPECIFICATIONS

Headphone:

Driver:	High performance 50mm
Magnet:	Neodymium
Frequency response:	20 Hz – 22 kHz
Measurements:	195 x 180 x 86 mm
Weight:	300g (inkl. Mic, Cable & Remote)
Sound:	Switchable between Stereo & 7.1 Virtual Surround
Lighting:	RGB LED switchable in 7 colors
Material ear cushions:	Memory Foam
Cable length USB connection:	2.00m

Microphone:

Type:	Omni-directional
Sensitivity:	36+-3dB
Diameter:	5.0x6.0mm
Impedance:	<2.2k Ω

DECLARATION OF CONFORMITY

Stage10 GmbH hereby declares that the LX40 USB Gaming Headset described in this user manual complies with the Directive 2014/30/EU.

The full text of the EU declaration of conformity is available at the following Internet address:



[https://support.lioncast.com/hc/de/sections/
360004612939-EU-Konformitaet](https://support.lioncast.com/hc/de/sections/360004612939-EU-Konformitaet)

MANUFACTURER INFORMATION AND SERVICE

If you have questions regarding the product or if any problems occur during operation or similar, first contact the following body via e-mail:

info@lioncast.com

Lioncast is a trademark of Stage10 GmbH |
Torstr. 49 | 10119 Berlin | Germany

DISPOSAL

Disposing of the packaging



Dispose of the packaging sorted into single-type materials:

- Paperboard and cardboard for recycled paper
- Films in the recyclable material collection service

Disposing of the device

(Applicable in the European Union and other European states with systems for the separate collection of reusable waste materials)



Old devices must not be disposed of with household waste!

If the LX40 is no longer operational, every consumer is **required by law to dispose of used devices separately from household waste**, e.g. at a collection point run by the communal authority/borough. This ensures that old devices are recycled in a professional manner and also rules out negative consequences for the environment. For this reason, electrical equipment is marked with the symbol shown here.



Batteries and rechargeable batteries do not belong in the household garbage!

As the end user you are required by law to bring all batteries and rechargeable batteries, regardless whether they contain harmful substances* or not, to a collection point run by the communal authority or borough or to a retailer, so that they can be disposed of in an environmentally friendly manner. Bring the LX40 (together with the rechargeable battery) to your collection point and make sure that it is in an uncharged state!

* labelled with: Cd = cadmium, Hg = mercury, Pb = lead

FCC

This device complies with Part 15 of the FCC Rules. Operation is subject to the following two conditions: (1) this device may not cause harmful interference, and (2) this device must accept any interference received, including interference that may cause undesired operation. Changes or modifications not expressly approved by the party responsible for compliance could void the user's authority to operate the equipment. This equipment has been tested and found to comply with the limits for a Class B digital device, pursuant to Part 15 of the FCC Rules. These limits are designed to provide reasonable protection against harmful interference in a residential installation. This equipment generates, uses and can radiate radio frequency energy and, if not installed and used in accordance with the instructions, may cause harmful interference to radio communications. However, there is no guarantee that interference will not occur in a particular installation. If this equipment does cause harmful interference to radio or television reception, which can be determined by turning the equipment off and on, the user is encouraged to try to correct the interference by one or more of the following measures:

- Reorient or relocate the receiving antenna.
- Increase the separation between the equipment and receiver.
- Connect the equipment into an outlet on a circuit different from that to which the receiver is connected.
- Consult the dealer or an experienced radio/TV technician for help.



LX40 | USB GAMING HEADSET

Color: Black

Art.-No.: 16011

Lioncast® is a registered trademark of Stage10 GmbH | Torstr. 49 | 10119 Berlin | Sony®, Playstation®, PS5 and PS4® are registered trademarks of Sony Corporation. Microsoft®, XBOX®, XBOX Series® and XBOX One® are registered trademarks of Microsoft corporation. Switch® is a registered trademark of Nintendo.

Made in China

